

# EPC2010 SPICE Thermal Model

## $R_{\theta JC}$ & $R_{\theta JB}$

### EPC2010 $R_{\theta JC}$ SPICE Thermal Model

**Typical  $R_{\theta JC} = 2.4^{\circ} \text{ C/W}$**

$$CTHERM1 \text{ th } 6 = 0.0150$$

$$CTHERM2 \text{ 6 } 5 = 0.1000$$

$$CTHERM3 \text{ 5 } 4 = 0.0100$$

$$CTHERM4 \text{ 4 } 3 = 0.0012$$

$$CTHERM4 \text{ 3 } 2 = 0.0002$$

$$CTHERM5 \text{ 2 tl} = 0.00005$$

$$R THERM1 \text{ th } 6 = 1.100$$

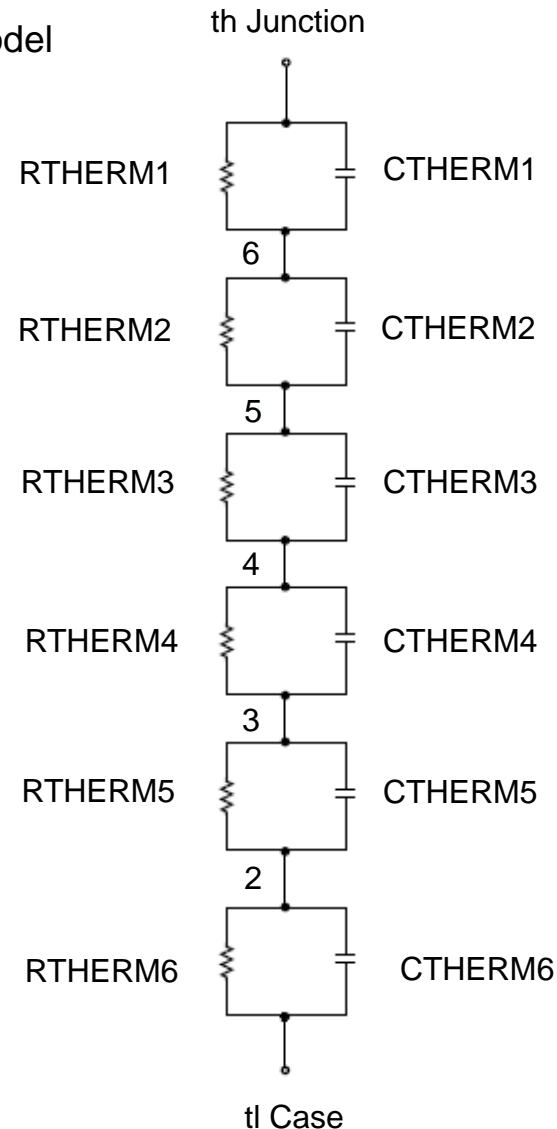
$$R THERM2 \text{ 6 } 5 = 0.5940$$

$$R THERM3 \text{ 5 } 4 = 0.5000$$

$$R THERM4 \text{ 4 } 3 = 0.1700$$

$$R THERM5 \text{ 3 } 2 = 0.0300$$

$$R THERM5 \text{ 2 tl} = 0.0060$$



### EPC2010 $R_{\theta JB}$ SPICE Thermal Model

$$CTHERM1 \text{ th } 5 = 0.040$$

$$CTHERM2 \text{ 5 } 4 = 0.076$$

$$CTHERM3 \text{ 4 } 3 = 0.035$$

$$CTHERM4 \text{ 3 } 2 = 0.013$$

$$CTHERM5 \text{ 2 } \text{tl} = 0.004$$

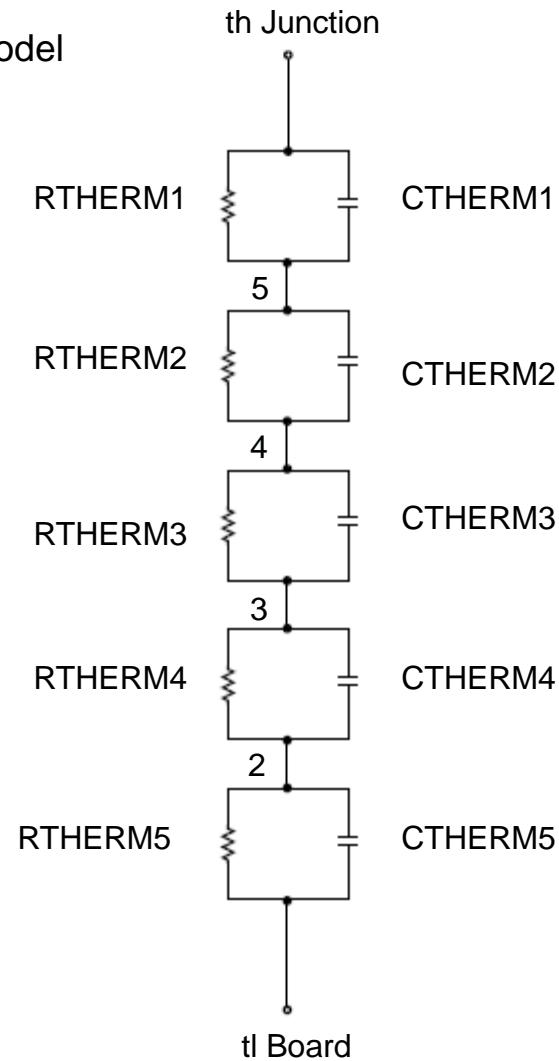
$$RTHERM1 \text{ th } 5 = 7.109$$

$$RTHERM2 \text{ 5 } 4 = 5.333$$

$$RTHERM3 \text{ 4 } 3 = 2.667$$

$$RTHERM4 \text{ 3 } 2 = 0.851$$

$$RTHERM5 \text{ 2 } \text{tl} = 0.040$$





*The end of the road  
for silicon.....*

*is the beginning of  
the eGaN FET  
journey!*

